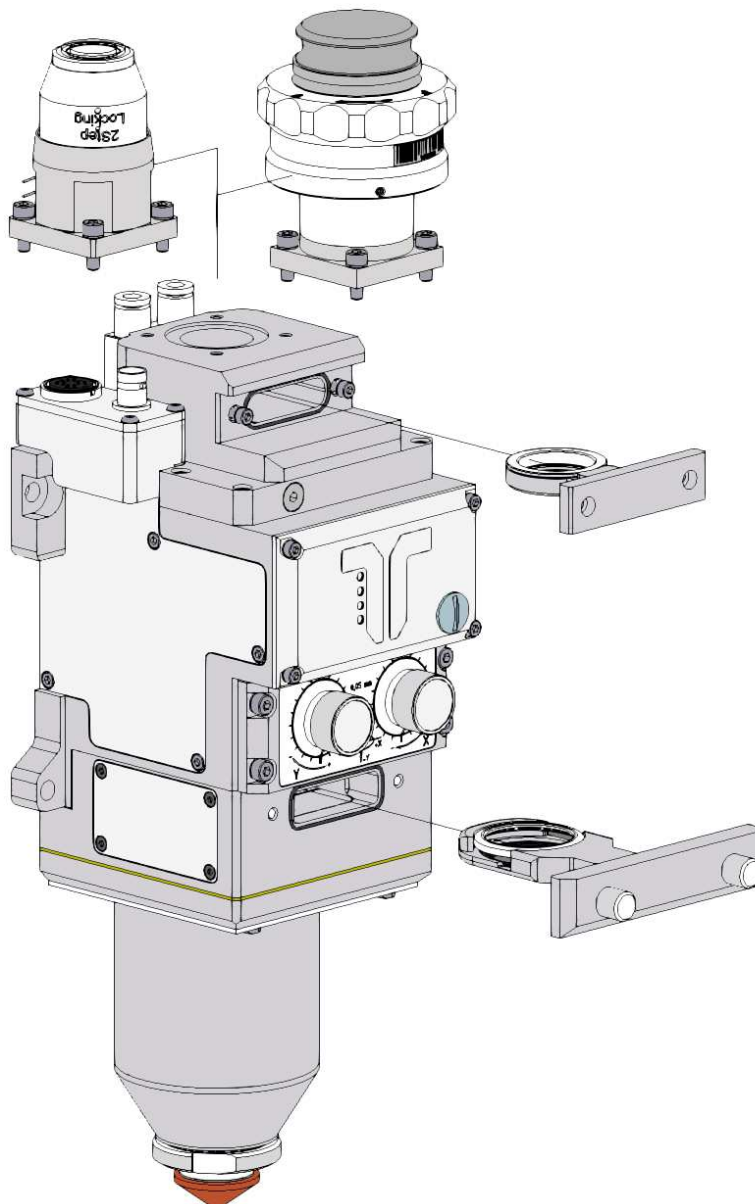
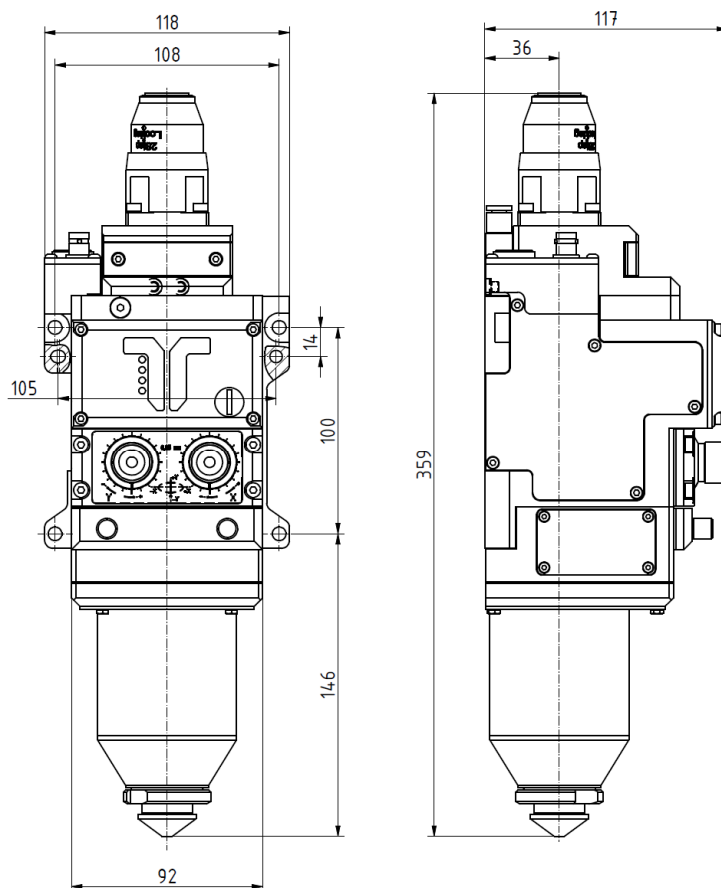


## TECHNICAL PRODUCT DATA EX-TRABEAM<sup>PRO</sup>

### STRUCTURE



## DIMENSIONS



## OPTICAL SYSTEM

Focal Length (magnification):	125mm (1,25) 150mm (1,5) 175mm (1,75) 200mm (2,0)
Adjustment range Focusing (horizontal):	±1mm
Wavelength range:	1030 ... 1130nm
Max. laser power:	8kW
Max. beam parameter:	99% power content within 125mrad
Laser light cable receiver:	Optoskand QBH, Trumpf-D
Diameter laser light cable:	Up to 200µm



## AUTO FOCUS SYSTEM

Traversing range Autofocus (focus position to TCP, TCP 1mm below nozzle):

In work piece direction (-):	18mm
------------------------------	------

In nozzle direction (+):	12mm
--------------------------	------

Correction range / offset Z-axis:	± 2mm
-----------------------------------	-------

## HOUSING

Dimensions:	92 x 117 x 359mm (depending on configuration)
-------------	---

Weight:	ca. 5kg (depending on configuration)
---------	--------------------------------------

IP-Protection:	64 (When the fiber is inserted)
----------------	---------------------------------

## SUPPLY

Electric:	DC 24V / max. 4A
-----------	------------------

Process gas:	Inert and Active gases, max. 25 bar
--------------	-------------------------------------

Cooling gas:	Air, max. 5bar
--------------	----------------

Cooling circuit:	Flow min. 1,5l/min, Operating pressure max. 5bar
------------------	---